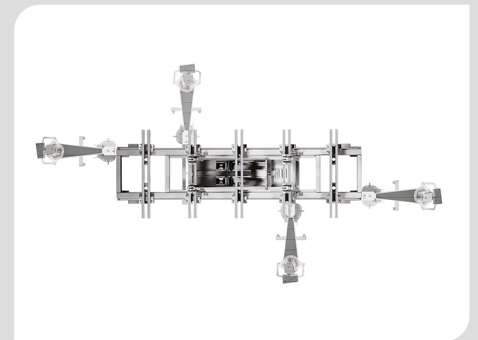
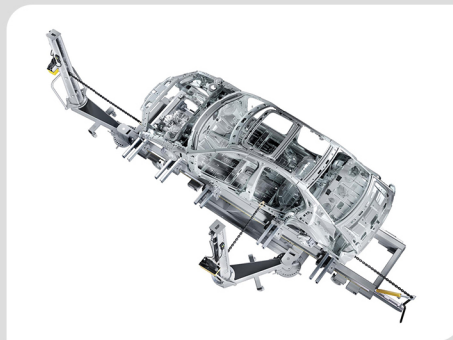
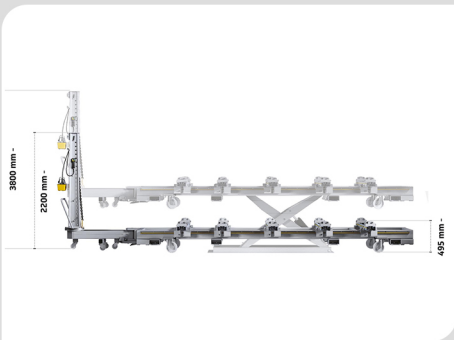
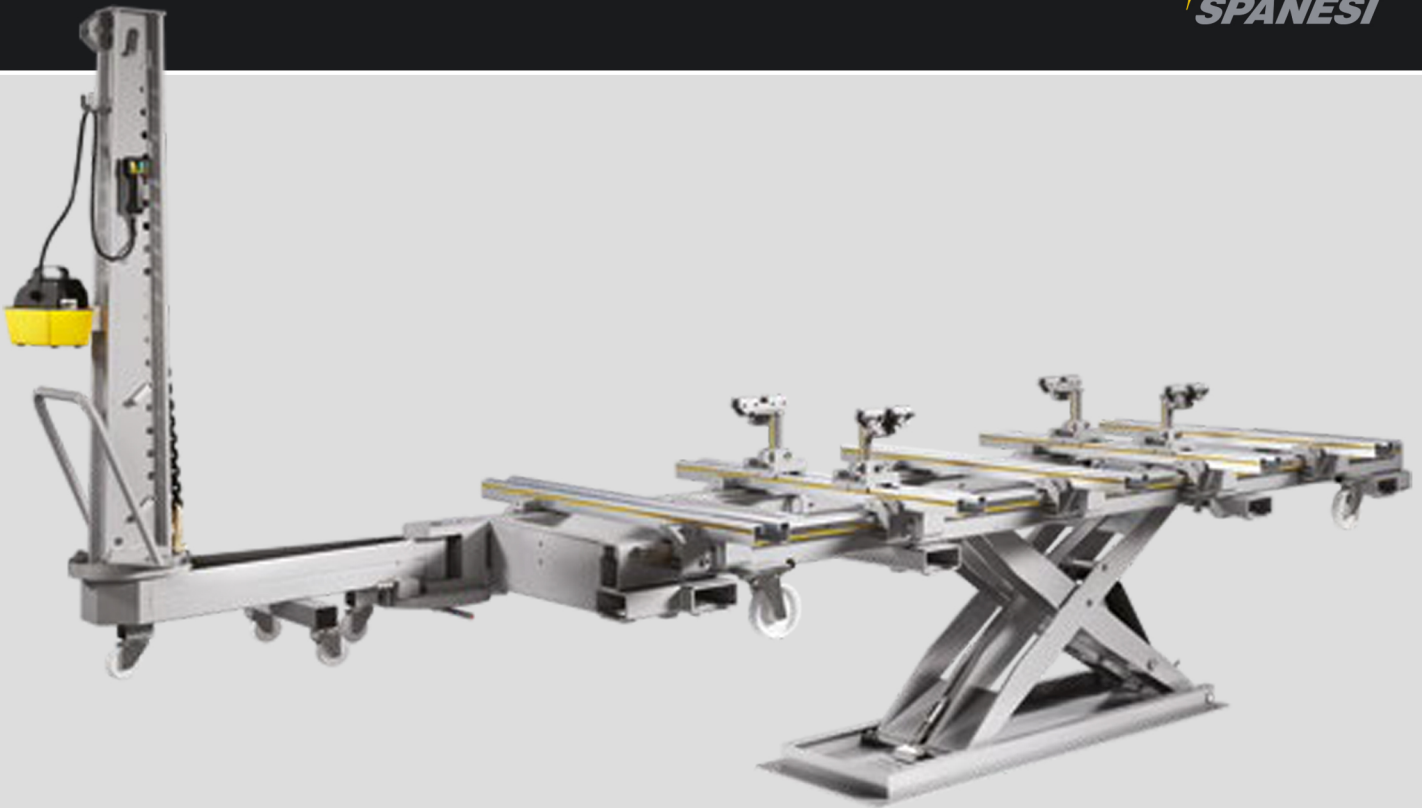


100TS STRAIGHTENING BENCH

The Spanesi 100TS bench is recommended for smaller repairs, the system include 4 standard clamps. The 5 meter bench with 5000kg lifting capacity is mobile with wheels and double action lift for effective mobility and easy storage when not in use, The flexibility allows the technician to select clamping with drive on ramps or with a 2 post lift.

SPANESI



Spanesi's straightening benches have been designed to stand up to the most intense pulling stresses; this is accomplished through the utilization of the most durable materials available, in order to maintain their performance throughout the years

The Spanesi 100TS bench has a load capacity of 5000kg and a lifting height of 1.6 meters. The pulling column can pull at heights of 1850mm with a force of 10 Ton.

- LOAD CAPACITY 5000 KG
- LENGTH 5 METERS
- WIDTH 1.8 METERS
- LIFTING HEIGHT 1.6 METERS
- PULLING FORCE 10 TON

FOR ENQUIRIES: (02) 9772 9097

OR VISIT WWW.SAPEGROUP.COM.AU AND SEARCH FOR SPANESI  

The SAPE Group are the authorised Australian Distributor of Spanesi Collision Repair Products

