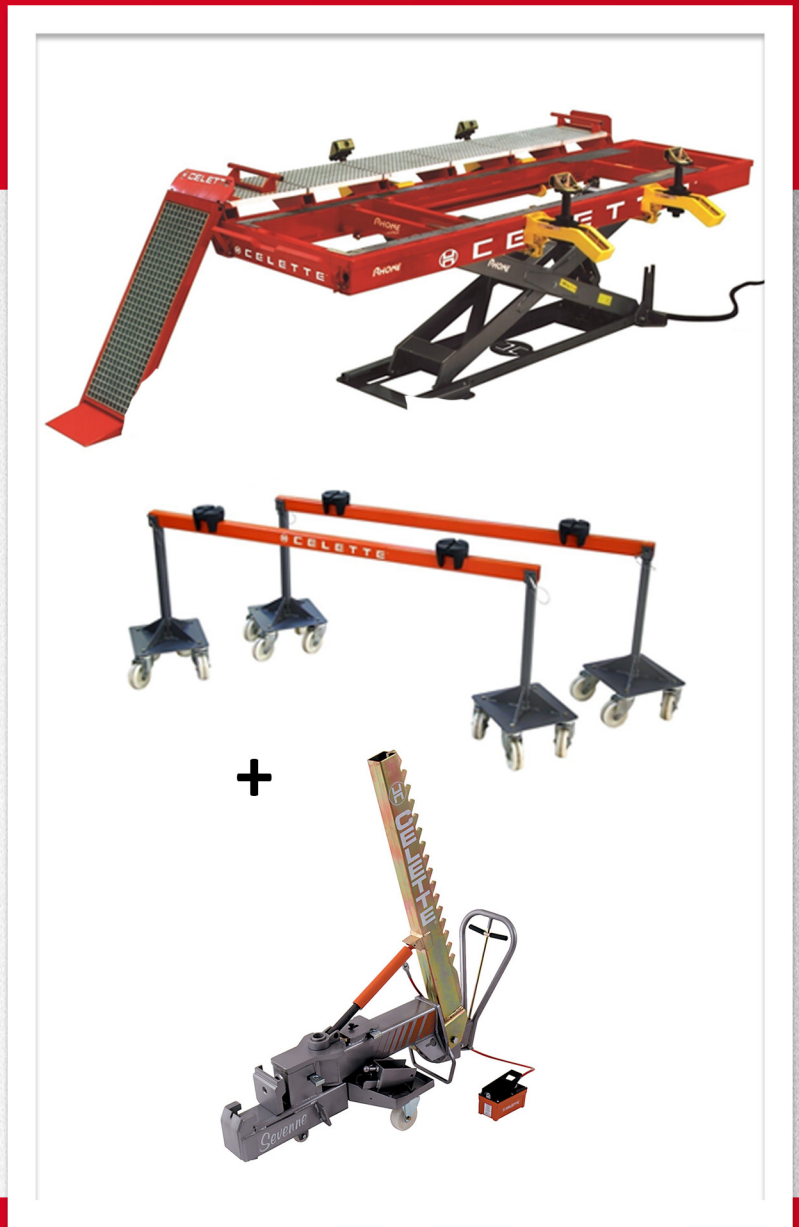


RHONE 2.8T BENCH AND SEVENNE PULLING UNIT

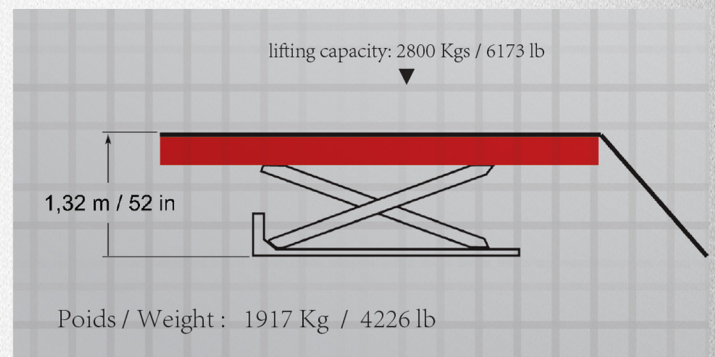
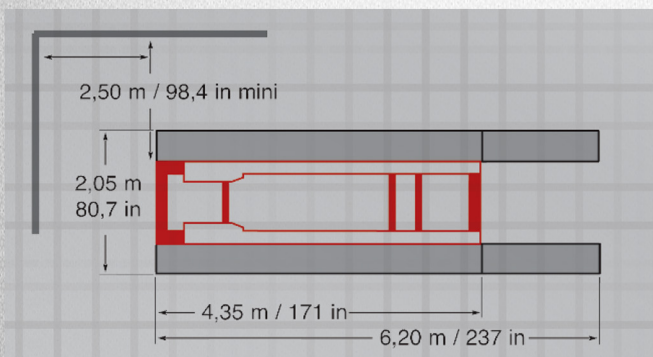
BENCH FEATURES

Rhone is a drive on bench with a lifting height of 4.33 ft. This bench enables the checking and the straightening with the MZ/MZ+ bracket sets and any of the CELETTE measuring systems. Installation of damaged vehicles thanks to the CELETTE trolley system.

INCLUDES SEVENNE PULLING UNIT



DRIVE ON BENCH WITH SCISSOR LIFT



**Sydney Automotive Paints
& Equipment Pty Ltd**
Phone (02) 9772 9000