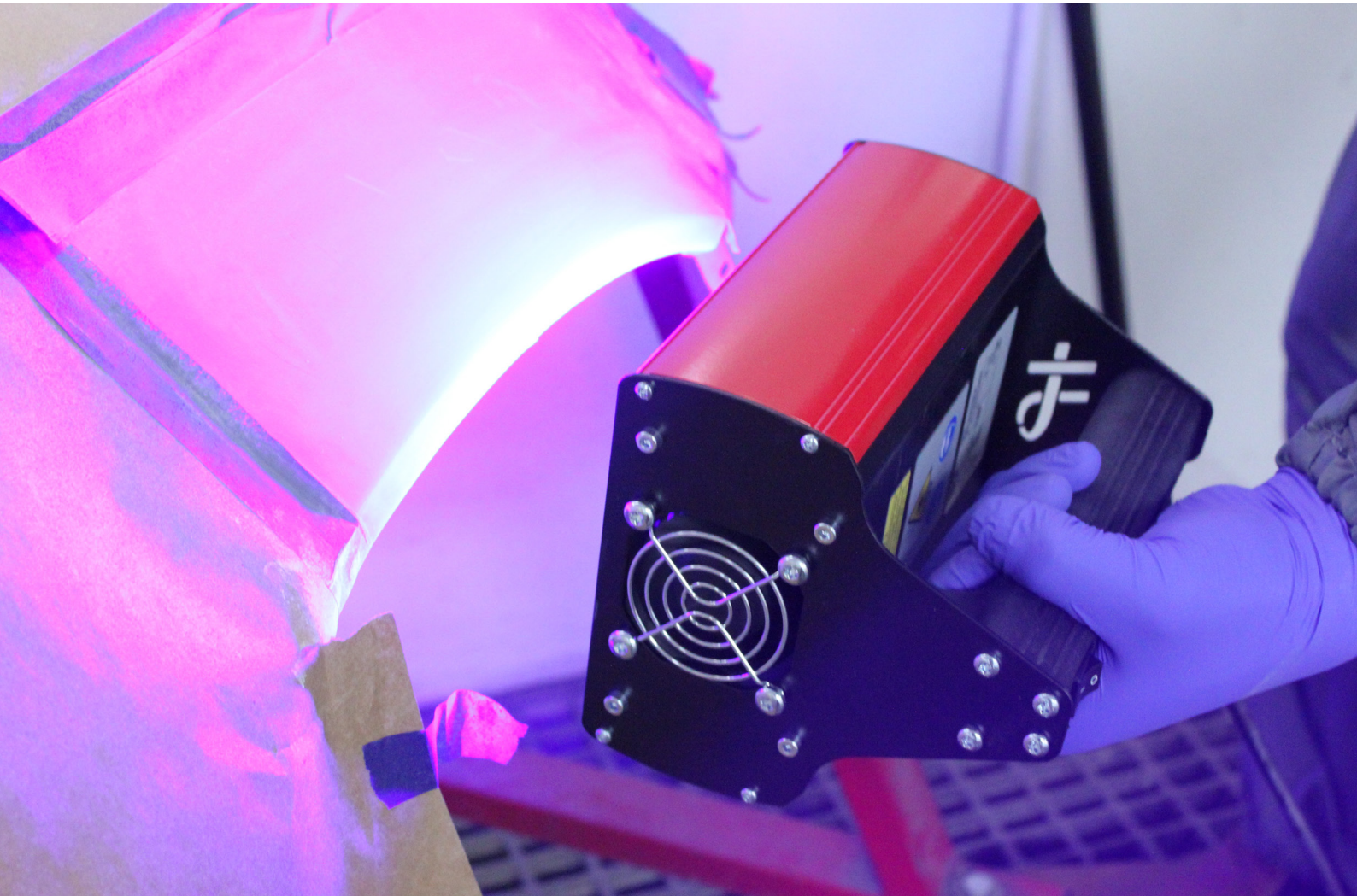




# IRT UV SPOTCURE

Powerful, fast and precise - curing at the speed of light



— PERFORMANCE ABOVE ALL —



*Cures at the speed of light without heating up the substrate. UV based coatings and UV SpotCure make repairs less critical on plastics, composite materials and carbon fibre as it allows a fully cold curing process and protects from deforming substrates.*



## ***SPEED, EFFICIENCY & PROFITABILITY***

**The safest and best curing performance for minor to moderate repairs, that will benefit all bodyshops - reduce curing time from minutes to seconds.**

*Active safety systems in vehicles are increasingly preventing and reducing damage. In future, this trend will continue and will increase the pressure on bodyshops to work more efficient and profitable. With UV SpotCure, curing will reduce from minutes into seconds.*

UV SpotCure is a robust, easy-to-use, hand held UV-LED dryer designed for professional use. The UV SpotCure is equipped with four 100W LED modules emitting UV and visible light, clearly making this unit the most powerful portable UV-curing solution on the market. UV SpotCure is designed to live up to regulatory compliance and international safety standards.

The UV SpotCure generates more UV-A intensity in a shorter time and more precisely, enabling the user in moving the unit in the same way as when painting with a spray gun, with no risk of damaging the surface. This unit covers a curing area typically 10 times larger than the competition.

UV SpotCure will easily cover even a larger area, but still at the same high-quality curing capacity as with static placement.

***CURING AT THE SPEED OF LIGHT!***



UV SpotCure is a robust, easy-to-use, hand held UV-LED dryer designed for professional use.



Equipped with four 100W LED modules.



IRT UV SpotCure

### HEDSON VS COMPETITORS

Measured at 100mm between LED and substrate, Hedson UV SpotCure achieves a light intensity on the surface of 8 mW/cm<sup>2</sup>. Competitors achieve an intensity of 4 mW/cm<sup>2</sup>, or lower. The less power or light intensity that arrives on the surface, the higher the risk that UV-A radiation will not penetrate the layer a 100%.

### UV-LED TECHNOLOGY

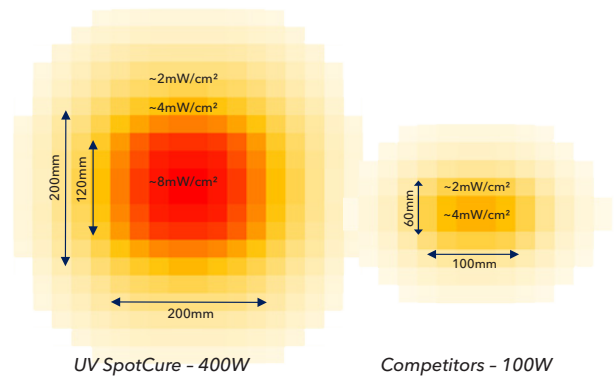
UV curing technology with light-emitting diodes (LEDs), is significantly more environmentally friendly for the technician as the working zone is ozone free and as the LED lamps generate low, near-instant, curing intensity, cold curing the painted surface without heating up the surrounding air.

Overall maintenance is reduced and the elimination of a warm-up cycle reduces technician down time. Lastly, the LED lamps work at lower temperatures than standard UV bulbs, providing an added margin of safety for your shop.

### BENEFITS

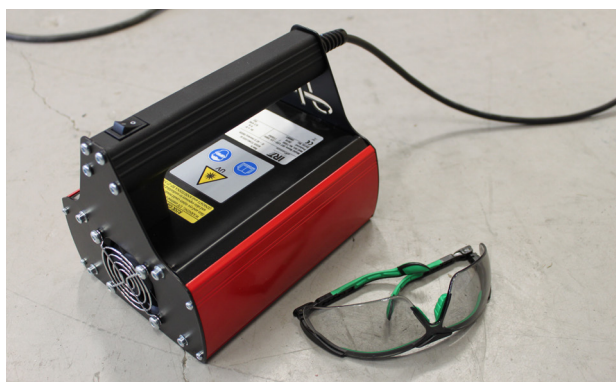
The UV SpotCure quickly provides superior intensity, correct wavelength, and proper curing performance through the whole thickness of the paint, ensures UV-paint materials to be 100% cured and enables reliable paint processes in bodyshops. Low energy consumption and a long LED life time keep the cost per curing job very low.

Different to, as nowadays commonly used light emitting LED's, UV-A LED's turn a considerable part of the needed electrical energy into heat within the LED structure. With built-in fans, the UV-A LED's and internal components are kept cool, reducing the risk of overheating the units, also extending the lifetime of the lamps to beyond 20,000 hours, with a minimal loss of curing power over that time.



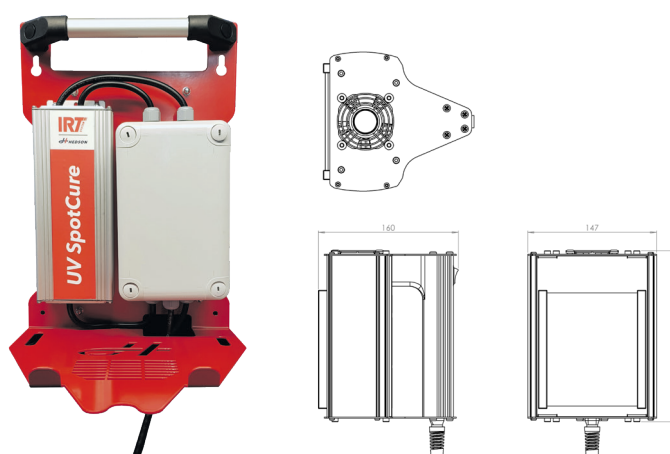
UV SpotCure vs competitor. Significant difference of wavelength, curing area and intensity. Measured with the unit 100 mm from the surface.

- Fast curing time
- Easy to use
- Low-temperature processing
- Minimal maintenance
- Safe to use in your bodyshop



IRT UV SpotCure

TECHNICAL DATA	
Voltage	220-240V, 1Ph/PE
Rec. Fuse	10A
Frequency	50-60 Hz
Lamp Wattage	0.4kW
Current	1.7A
Noise Level	< 70dB (A)
Cord length	8 m
<b>Weight</b>	
- handheld unit	1,56 kg
- total (incl. shelf)	7,1 kg
<b>Measurements handheld unit</b>	
- Width	147 mm
- Height	195 mm
- Depth	160 mm
<b>Measurements shelf</b>	
- Width	245 mm
- Height	370 mm
- Depth	270 mm
<b>Part. no.</b>	750746
<i>Risk Group EN62471</i>	3 (RG-3)



**ALWAYS USE SAFETY GLASSES WHEN HANDLING UV LIGHT.  
HEDSON SUPPLIES A PAIR WITH EACH DELIVERED UNIT.**

